

Cubicle system

made of composite chipboard



schäfer
Trennwandsysteme



Type SVF30 / SV30



(1)

A floating system. With the cubicle system of type SVF30 JUMP the use of recessed feet and a recessed head section results in a floating impression. In connection with wall connections as shadow gap the system thus becomes a visual highlight.

(1) Cubicle system SVF30 JUMP with recessed feet and recessed head section for a floating look. Wall connections are made by a shadow gap (not possible if there has to be a cut out) resulting in a completely smooth front.

(2) Wall-mounted privacy screens with an ABS strip in the colour of the panel are installed with durable aluminium holders.

(3) Cubicle system SVF30 Jump in white colour.

The completely smooth front punctuates the high quality and puristic optics.

(4) Massive aluminium holders in connection with a head section which is recessed by 150 mm ensure the necessary stability. These parts are not visible from the front.

(5) Stainless steel feet are recessed below the dividing wall. To avoid breakages an aluminium holder is used for additional stability. Furthermore, the connection between partition and front is stabilized with a T-connector.





(1)

A concept on the special note. The cubicle type SVF30 from melamine resin-coated panels with 3 mm coloured ABS strips. This is an alternative cubicle, where beside pure function, design is demanded. Flush fitting, front smooth and straight front wall, coloured 3 mm thick ABS strips are slightly rounded and lend a modern note to the concept in coordination with a variety of colours for the fittings. Fast cleaning of the partition walls, effective protection of edges and a responding design are convincing arguments for this cubicle type. This cubicle is suitable for all applications in dry room areas.

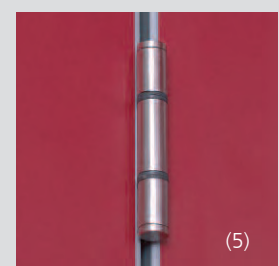
(1) The outside of type SVF30 cubicle systems is generally flush-fitting. This is achieved by using a special cover section which ensures a flush fit even for doors opening outwards. The result is a high-quality, calm look, which lifts the entire impression of the sanitary area.

(2) Cubicle system type SVF30 PremiumLine. The room-high construction offers the highest level of privacy. In the standard version, wall-connections are done as shadow gap. Front elements are produced in one piece up to a height of 2,500 mm. Over the doors a cover plate is fitted flush into the front. As a whole, a highly exclusive solution.

(3) This cubicle system is nearly perfect for a courageous colouring. Due to the flush-fitting structure the front design is not interrupted by profiles. Regarding design, ABS-strips might be chosen in a contrast colour to the panel colour and thus set a special course.

(4) Stainless steel cubicle feet in accordance with DIN 1.4301, infinitely variable height adjustment.

(5) Three roll stainless steel hinge with special high-performance polymer treads. These treads ensure that no maintenance is required and that the door can be shut quietly.





The favourite cubicle system for dry room areas. The cubicle system type SV30 is fabricated out of melamine resin-coated chipboard. The correct choice for a simple, solid and easy-care cubicle. The ideal alternative for dry sanitary areas.



(1)

(1) Type SVF30 cubicle systems made from 30 mm strong quality particle board together with anodised or powder coated surfaces. A high-quality and robust cubicle type, offering many configuration variations even for smaller budgets.

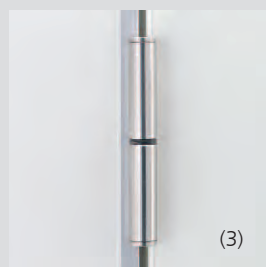
(2) Privacy screens from satined tempered safety glass. This is only one of various design options. You can also order our product brochure glass cubicle systems.

(3) Stainless steel hinge with special high-performance polymer treads. These treads ensure that no maintenance is required and that the doors can be shut quietly.

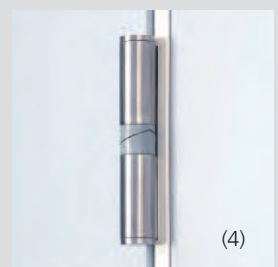
(4) As an option, the doors can be equipped with self-closing stainless steel hinges.



(2)



(3)

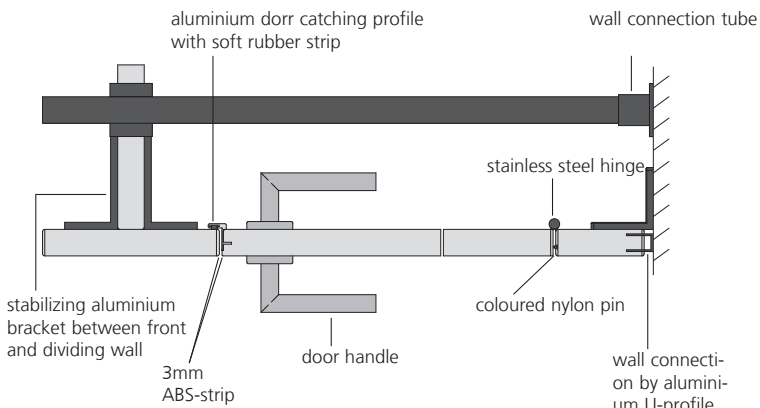


(4)

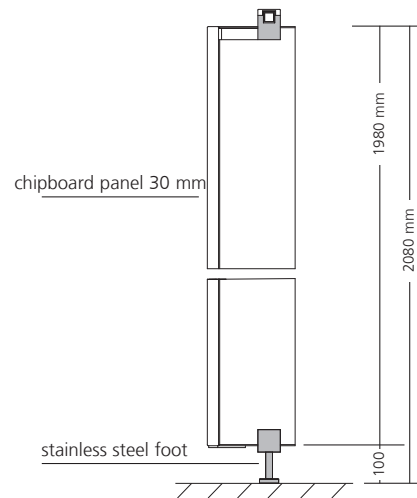
Stylish and elegant partitioning.

schäfer
Trennwandsysteme

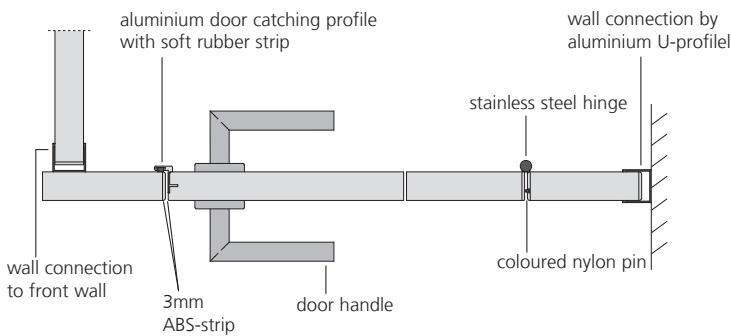
Drawing: cubicle type SVF30 JUMP



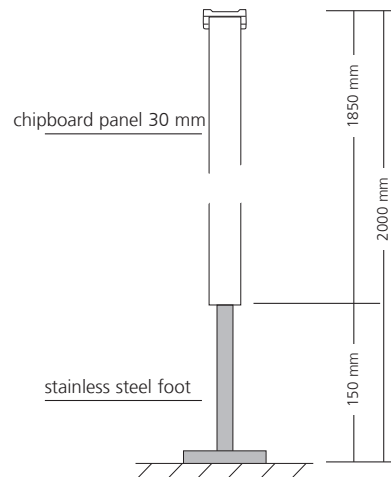
Drawing: cross-section



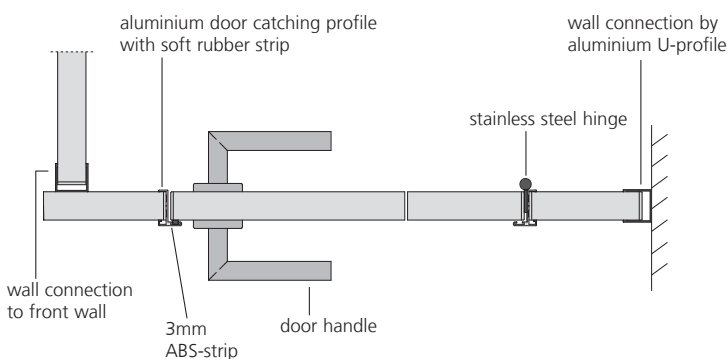
Drawing: cubicle type SVF30



Drawing: cross-section



Drawing: cubicle type SV30



We reserve the right to alter specification without notice.



registered at the German society of pre-qualification for building companies e.V.
Registration number: 010.049740